

TEST ALL SAFETY SWITCHES FOR PROPER OPERATION OF THE SAFETY SHUTDOWN SYSTEM BEFORE OPERATING PIVOT.

COMPONENTS		
SYM	DESCRIPTION	PART #
C1	CONTACTOR	40011
DS	DISCONNECT SWITCH	93601
SP	SUPPRESSOR	93402
S1	SAFETY SWITCH	93652
S2	RUN SWITCH	93652
TS	TERMINAL STRIP	938301

NEBRASKA IRRIGATION, INC.  
 BOX 1023 COLUMBUS, NE 68602 USA

DO NOT SCALE

TITLE NIV INTERMEDIATE TOWER BOX	
DWG NO. NI-1249	PART NO. 22018VL
CAD NO. NI-1249	REV:

DATE 11-1-02	SCALE
DR BY: D. HILLEN	APPR BY:

THIS PRINT IS CONFIDENTIAL, CONSTITUTES TRADE SECRETS OF NEBRASKA IRRIGATION, AND IS NOT TO BE DISCLOSED TO ANYONE ELSE, NOR USED IN ANY WAY DETRIMENTAL TO OUR INTEREST WITHOUT WRITTEN PERMISSION

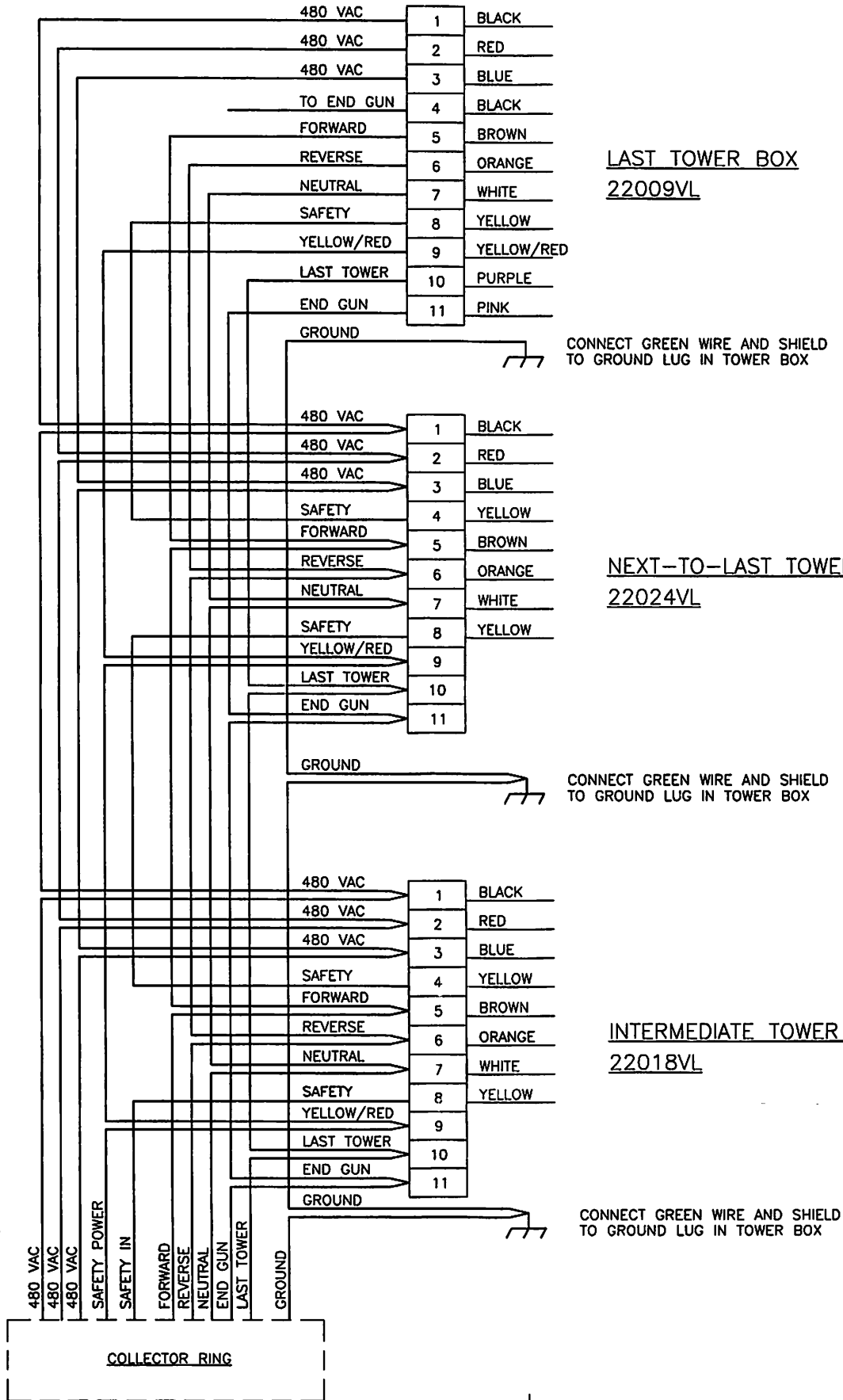
# CONNECTION OF 11-WIRE SPAN CABLE USING NI-VL TOWER BOXES

**VALLEY COLOR CODE**

BLACK -- 480 VAC  
 BLUE -- 480 VAC  
 RED -- 480 VAC  
 BROWN -- FORWARD  
 ORANGE -- REVERSE  
 YELLOW -- SAFETY

YELLOW/RED -- POWER FOR SAFETY CIRCUIT  
 PURPLE -- LAST TOWER  
 PINK -- END GUN  
 WHITE -- NEUTRAL  
 GREEN -- GROUND

THE COLORS CAN VARY. KNOW THE FUNCTION OF THE WIRES. DO NOT TRUST COLOR CODES.



NEBRASKA IRRIGATION, INC.  
 BOX 1023 COLUMBUS, NE 68602  
 TITLE SCHEMATIC, 11-WIRE SPAN CABLE, NI-VL TOWER BOX  
 DWG NO. NI-1847 PART NO. 77562  
 CAD NO. NI-1847 REV:

DATE 8-2-10 SCALE  
 DR BY: D. HILLEN APPR BY:

THIS PRINT IS CONFIDENTIAL. CONSULTING ENGINEERS SHALL NOT REPRODUCE OR TRANSMIT THIS INFORMATION TO ANY OTHER PARTY WITHOUT THE WRITTEN PERMISSION OF THE COMPANY.  
 PR112